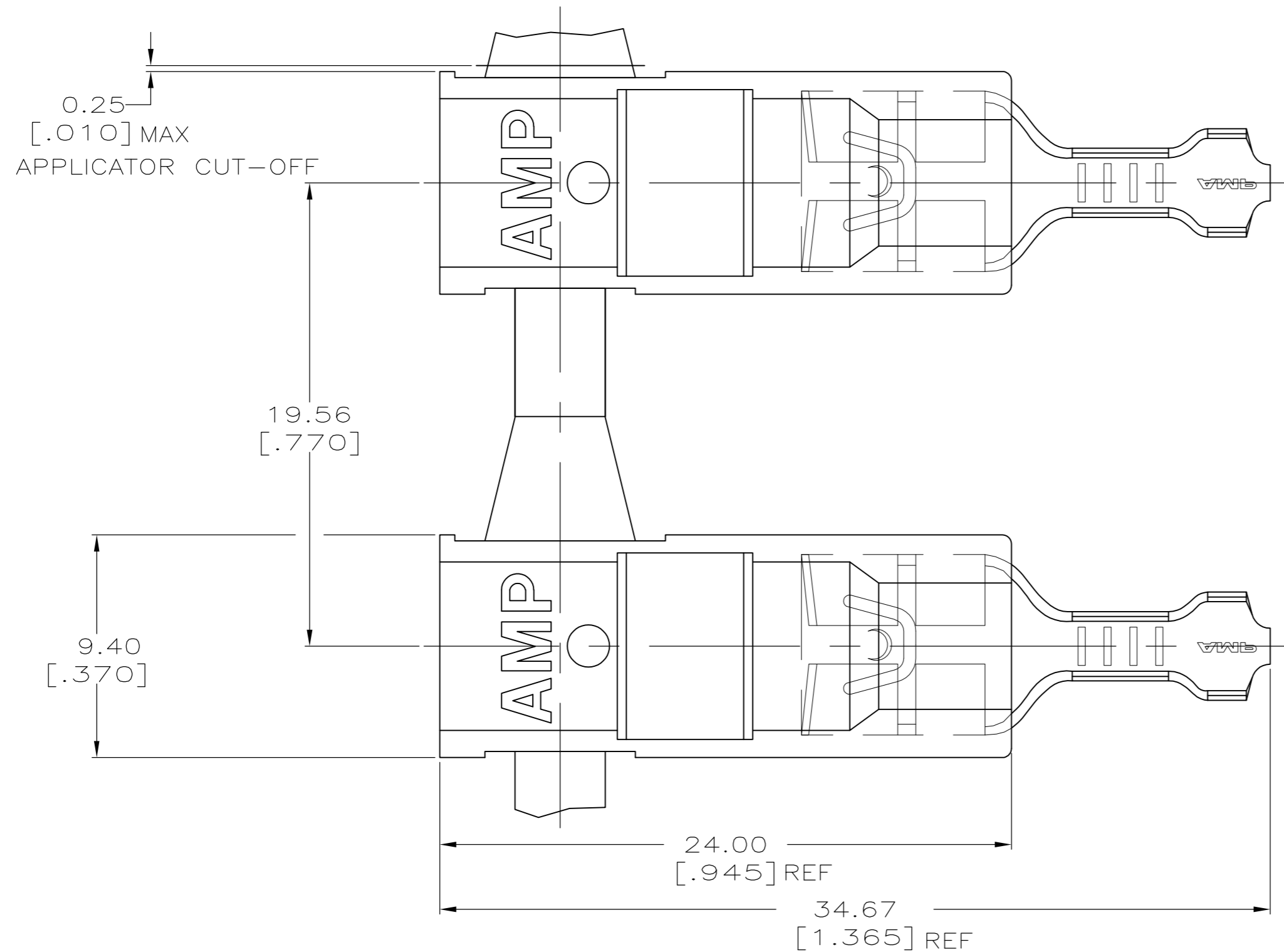
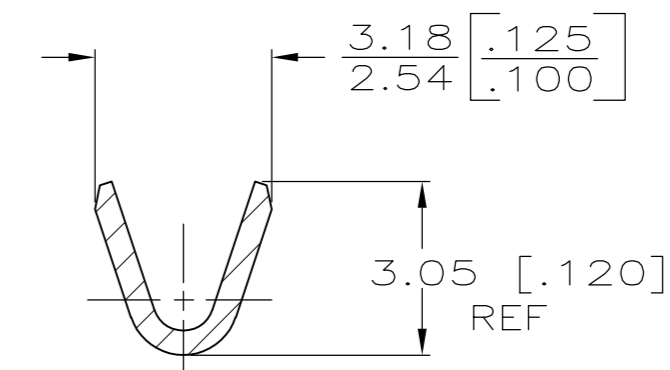


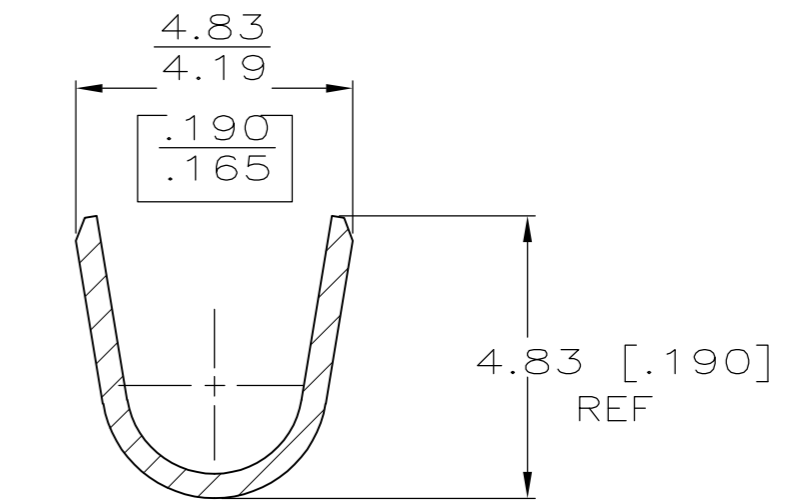
REVISIONS				
P	LTR	DESCRIPTION	DATE	APVD
F3		REVISED PER ECR-17-002035	16FEB2017	BW MD



- 1 0.002032 [.000080] MIN TIN PER MIL-T-10727.
- 2 LOW-INSERTION FASTON TERMINALS, BASE PART NUMBER 63609, ARE USED IN THIS PRODUCT.
- 3 GLOW WIRE APPROVED, CONTACT TE ENGINEERING FOR SPECIFICATION
- 4 PRELIMINARY - FASR REQUIRED



SECTION A-A
SCALE 8:1



SECTION B-B
SCALE 8:1

TERMINAL FINISH	INSULATION RANGE	WIRE SIZE	MATING TAB THK ±0.025 [±.001]	PART NO
1 PLAIN	2.29-3.30 [.090-.130]	0.3-0.8 mm ² [22-18]	0.81 [.032]	520988-3
	2.29-3.30 [.090-.130]	0.3-0.8 mm ² [22-18]	0.81 [.032]	520988-2
				520988-1

THIS DRAWING IS A CONTROLLED DOCUMENT.		DWN 5/14/91 MICHAEL S. FEHER	TE TE Connectivity	
DIMENSIONS: mm [INCHES]		CHK 5/21/91 JEFF R. RUTH		
TOLERANCES UNLESS OTHERWISE SPECIFIED:		APVD 5/21/91 RICHARD FRANTZ	NAME	
0 PLC ± -		PRODUCT SPEC	ASSEMBLY, HOUSING & RECEPTACLE, 6.35 [.250] SERIES ULTRA-POD	
1 PLC ± -		108-1285	SIZE	CAGE CODE
2 PLC ± 0.25 [.010]		APPLICATION SPEC	A2	00779
3 PLC ± -		114-2124	DRAWING NO	C=520988
4 PLC ± -		WEIGHT 0.000000	RESTRICTED TO	-
FINISH		CUSTOMER DRAWING	SCALE 5:1	SHEET 1 of 1
TERMINAL - BRASS		TERMINAL - SEE TABLE	REV	F3
HOUSING - 6/6 NYLON		HOUSING - NATURAL		